

# kmA.3S

A light structure  
for a maximum versatility.



## SPECIFICATIONS

### Floating rotary head

Holding capacity	10 000 lb (4 536 kg)
Final drive	1.375 in -3 thread/in
Hydraulic motor	44 cc
Lubrication	Self grease
Torque	119 lb/ft (161 N/m)
Speed	1 500 RPM
Speed based on a 44 cc hydraulic motor	

## FEATURES AND BENEFITS

- Surface version
- Heliportable
- Made in aluminium
- Depth capacity:  
ATW size 300 m (985 ft)  
BTW size 150 m (490 ft)
- Total weight w/o pump tank:  
1 797 lb (815 kg)  
70 HP Diesel

# kmA.3S

## SURFACE DRILL

### Filtration

One 10 micron on return line
One high pressure filter

### Hydraulic module

Hydraulic pump	75 l/min @ 3 000 rpm max. 4 000 psi (275 bar)
System drive	Open loop   Load-sensing circuit
Variable volume flexible tank	5,28 gal (20 l)
Oil heat exchanger	Water cooling

### Weight (dry)

70 HP Diesel Power unit/hydraulic pump/tank	1 100 lb (498 kg)
Control panel	190 lb (86 kg)
Drill	507 lb (230 kg)

### Power unit

Diesel engine	70 HP
---------------	-------

### Drilling capacity

*Recommended size for maximum performance	*ATW (1.75 in)	985 ft (300 m)
	*BTW (2.1875 in)	490 ft (150 m)
Drilling capacity is calculated on a 90 degree down hole and will depend on in-hole tools, ground conditions, drilling techniques and equipment used.		

### Feed frame

Head stroke	5 ft 4 in (1,65 m)
Raising speed	92 ft/min (28m\min)
Lowering speed	151 ft/min (46m\min)
Pull capacity	10 000 lb (4 536 kg)
Push capacity	5 000 lb (2 268 kg)
Possible angle	-20 to -90 degrees

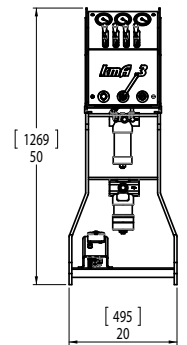
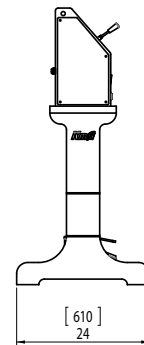
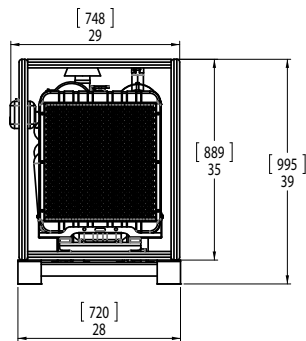
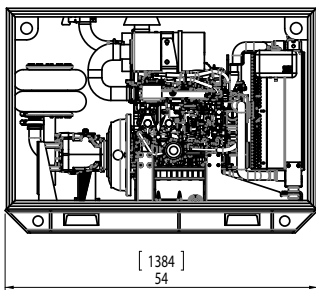
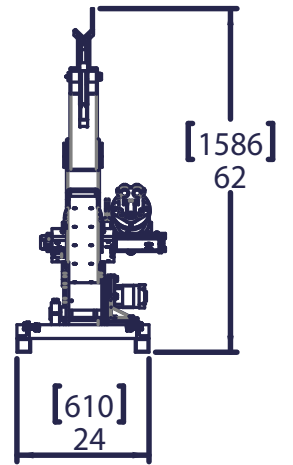
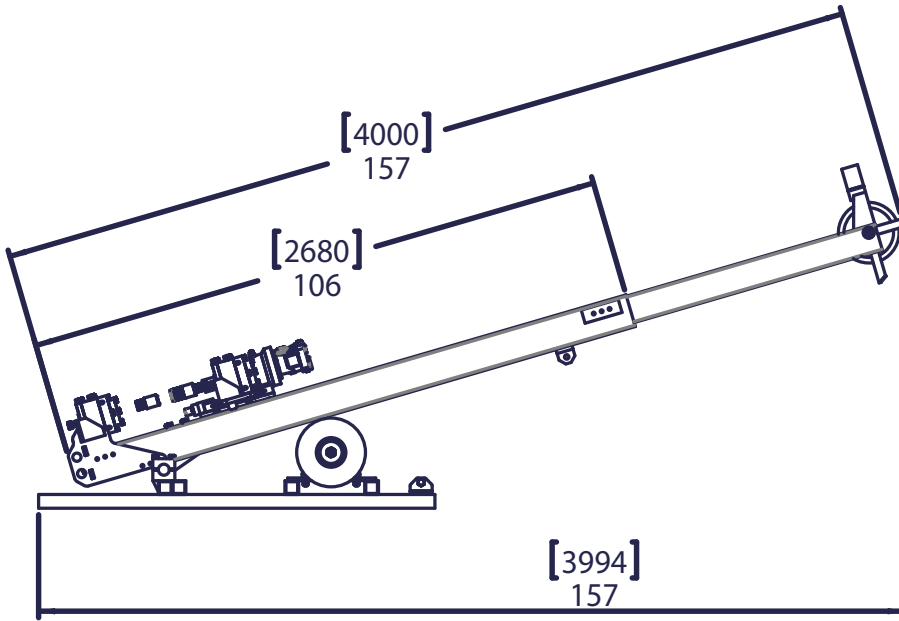
### Rod holder

Holding capacity	10 000 lb (4 536 kg)
Open / Close	Hydraulic
Rod size	ATW Rod AW Casing BTW Rod

### Wireline hoist

Cable capacity (3/16 in - 4.8 mm)	1 000 ft (300 m)
Pull capacity	650 lb (295 kg)
Variable speed as needed	

**DIMENSIONS**





**Field** experience, **Real** experience.



Distributor:

240, rue Gilbert-Bosse, Val-d'or, QC, Canada J9P 0H4

1 819 874-4404 [info@versadrillcanada.com](mailto:info@versadrillcanada.com)

[versadrillcanada.com](http://versadrillcanada.com)