

# INNER TUBE PULLER

DRILL SMARTER,  
WORK SAFER,  
ACHIEVE MORE.

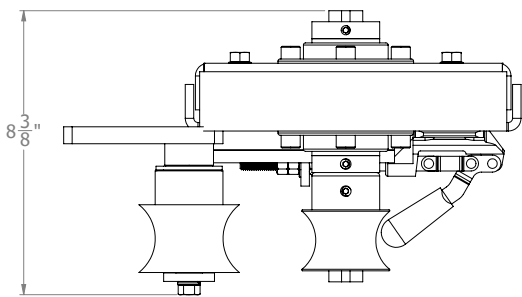
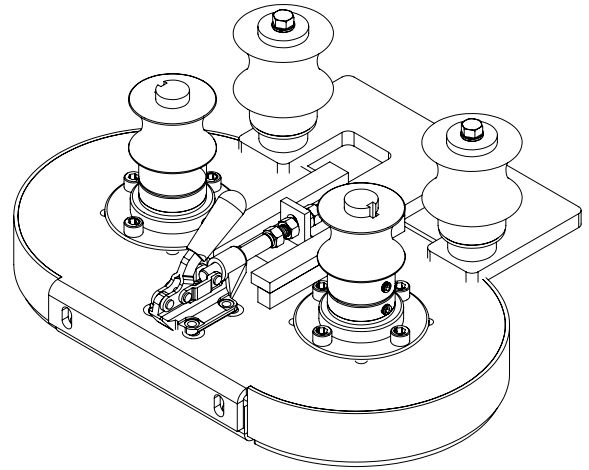
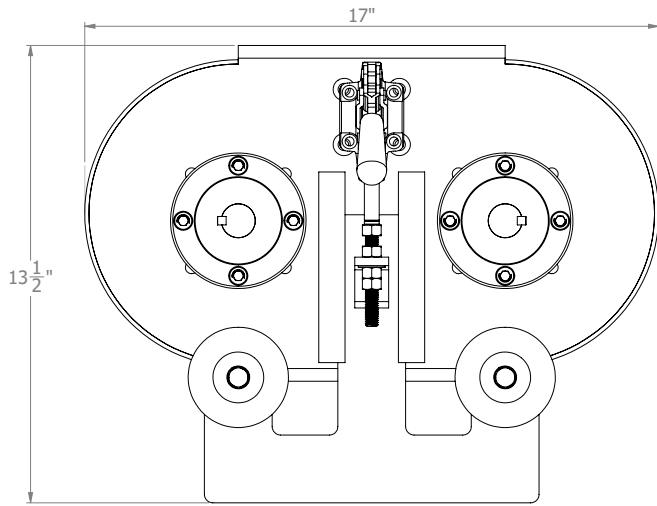


## SPECIFICATIONS

Depth (meter)	m/h with 3m inner tube	m/h with 6m inner tube	m/h with 15m inner tube	Ratio Increased of drilled meters 15m/3m	Ratio Increased of drilled meters 15m/6m	Added meters per year (50% of time full run)
100m	5,36	7,86	9,85	1,8	1,3	8171,8
200m	4,29	6,13	8,87	2,1	1,4	8335,6
300m	3,57	5,33	8,06	2,3	1,5	8171,8
500m	2,68	4,22	6,82	2,5	1,6	7534,8
1000m	1,65	2,78	4,92	3,0	1,8	5951,4

## FEATURES AND BENEFITS

- Cut down on workerback injuries
- Boost meters drilled per shift
- Compatible with all drillbrands



**Field experience. Real experience.**

Distributor:

240, rue Gilbert-Bosse, Val-d'Or, QC, Canada J9P 0H4

1 819 874-4404 info@versadrillcanada.com

**versadrillcanada.com**